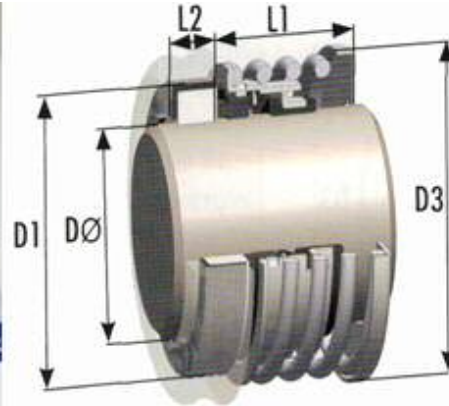


ASP-Type 2 Industry Standard Seal



Shaft Size		Seat OD		Rotary OD		Working Length		Seat Height	
Inch	Code	Inch	Metric	Inch	Metric	Inch	Metric	Inch	Metric
0.5	127	1	25.4	1.187	30.14	0.813	20.64	0.312	7.93
0.625	158	1.25	31.75	1.312	33.32	0.875	22.23	0.405	10.28
0.75	191	1.375	34.93	1.438	36.52	0.875	22.23	0.405	10.28
0.875	222	1.5	38.1	1.564	39.72	0.937	23.8	0.405	10.28
1	254	1.625	41.28	1.783	45.3	1	25.4	0.437	11.1
1.125	286	1.75	44.44	1.908	48.47	1.062	26.97	0.437	11.1
1.25	317	1.875	47.63	2.079	52.8	1.062	26.97	0.437	11.1
1.375	349	2	50.8	2.204	55.98	1.125	28.58	0.437	11.1
1.5	381	2.125	53.98	2.329	59.15	1.125	28.58	0.437	11.1
1.625	412	2.375	60.33	2.636	66.96	1.375	34.93	0.5	12.7
1.75	444	2.5	63.5	2.761	70.12	1.375	34.93	0.5	12.7
1.875	476	2.625	66.68	2.88	73.16	1.5	38.1	0.5	12.7
2	508	2.75	69.85	3.011	76.48	1.5	38.1	0.5	12.7
2.125	539	3	76.2	3.256	82.71	1.687	42.85	0.562	14.28
2.25	571	3.125	79.38	3.381	85.9	1.687	42.85	0.562	14.28
2.375	603	3.25	82.55	3.506	89.06	1.812	46.02	0.562	14.28
2.5	635	3.375	85.73	3.631	92.24	1.812	46.02	0.562	14.28
2.625	666	3.375	85.73	3.875	98.43	1.937	49.2	0.625	15.88
2.75	698	3.5	88.9	4	101.6	1.937	49.2	0.625	15.88
2.875	730	3.75	95.25	4.125	104.78	2.062	52.37	0.625	15.88
3	762	3.875	98.43	4.25	107.95	2.062	52.37	0.625	15.88

The provided dimensions above can be subject to minor deviations

ASP- 2 (Shaft Diameters 5/16" through 5")

A true workhorse for industrial pumps. Commonly used in industry for sealing pumps in a wide range of services. 80% of applications are water, but oil, waste water, and light chemical applications are also common.

Robust, short working length, highly accommodating and reliable, rubber diaphragm balanced seal which provides enhanced seal capability, performance and life. Improved design features further enhance this popular seal.

FEATURES: Rubber bellows seal, non-clogging, single coil spring, The drive band's notch design eliminates overstressing of the bellows.

Used in: Centrifugal pumps and turbine pumps, mixers, blenders, compressors, and chillers.

Pressures to 150 PSI. Temperature: -40°F to +400°F (depending on the chosen elastomer).

Elastomers: Nitrile (Buna-N) , Viton (FKM) , EPDM

Rotary Face Materials: Carbon, Silicon Carbide, Tungsten Carbide, GFPTFE

Stationary Face Materials: Ceramic, 17-4, Ni-resist, Silicon Carbide, Tungsten Carbide,